



26 Watts of energy efficient LED garage lighting. 100,000 hour LED lifespan. 5 year warranty. High-performance output maximizes spacing criterion.

Color: White

Weight: 18.2 lbs

<b>Project:</b>	<b>Type:</b>
<b>Prepared By:</b>	<b>Date:</b>

Driver Info		LED Info	
Type:	Constant Current	Watts:	26W
120V:	0.30A	Color Temp:	5000K
208V:	0.17A	Color Accuracy:	74 CRI
240V:	0.15A	L70 Lifespan:	100000
277V:	0.13A	Lumens:	3144
Input Watts:	27W	Efficacy:	116 LPW
Efficiency:	96%		

## Technical Specifications

### Listings

#### UL Listing:

Suitable for Wet Locations. Covered Ceiling Mount Only.

#### DLC Listed:

This product is listed by Design Lights Consortium (DLC) as an ultra-efficient premium product that qualifies for the highest tier of rebates from DLC Member Utilities.

DLC Product Code: P000017A9

#### IESNA LM-79 & LM-80 Testing:

RAB LED luminaires have been tested by an independent laboratory in accordance with IESNA LM-79 and LM-80, and have received the Department of Energy "Lighting Facts" label.

### Construction

#### IP Rating:

Ingress Protection rating of IP66 for dust and water

#### Cold Weather Starting:

Minimum starting temperature is -40°C (-40°F)

#### Maximum Ambient Temperature:

Suitable for use in 40°C (104°F) ambient temperatures

#### Thermal Management:

Superior heat sinking with integrated air-flow fins.

#### Housing:

Precision die-cast aluminum housing and door frame.

#### Mounting:

Easy hanging plate with hooks for ceiling mount.

#### Lens:

Prismatic polycarbonate lens.

#### Reflector:

Semi-specular anodized aluminum with ultra-white, 97% reflective optics.

#### Gaskets:

High-temperature silicone

#### Finish:

Formulated for high-durability and long lasting color.

#### Green Technology:

Mercury and UV free. RoHS compliant components. Polyester powder coat finish formulated without the use of VOC or toxic heavy metals.

### LED Characteristics

#### Lifespan:

100,000-hour LED lifespan based on IES LM-80 results and TM-21 calculations.

#### LEDs:

High-output, long-life LEDs.

#### Color Consistency:

7-step MacAdam Ellipse binning to achieve consistent fixture-to-fixture color.

#### Color Stability:

LED color temperature is warranted to shift no more than 200K in CCT over a 5 year period.

#### Color Uniformity:

RAB's range of CCT (Correlated Color Temperature) follows the guidelines of the American National Standard for Specifications for the Chromaticity of Solid State Lighting (SSL) Products, ANSI C78.377-2017.

### Electrical

#### THD:

7.7% at 120V, 17.4% at 277V

#### Power Factor:

99.1% at 120V, 89.9% at 277V

#### Drivers:

Constant Current, Class 2, 100V-277V, 50/60 Hz, 6kv Surge Protection, 720mA, 100-277VAC 0.4 Amps.

### Other

#### Patents:

The design of GLED26 is protected by patents pending in US, Canada, China, Taiwan and Mexico.

#### FTC Country of Origin:

This product was assembled in the USA by RAB using imported components.

#### Buy American Act Compliance:

This product complies with the Buy American Act.

### Optical

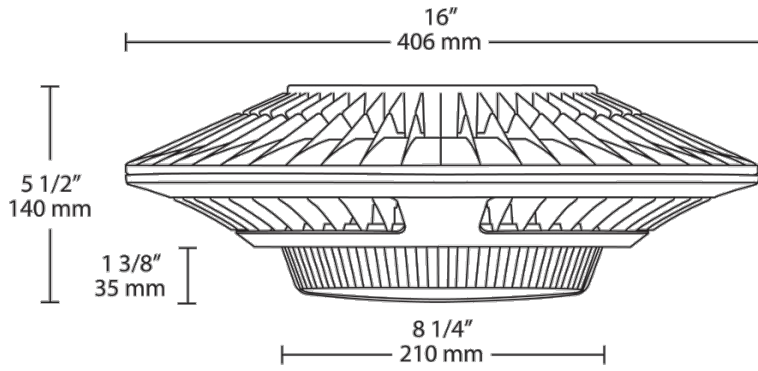
#### BUG Rating:

B2 U3 G1

# GLEED26W USA

**RAB**

## Dimensions



## Features

Low-profile design Ideal for Parking Garages

100,000-hour LED lifespan based on IES LM-80 results and TM-21 calculations

Up to 25% Reduction in Fixture Count

Lock screw provided for pendant mount